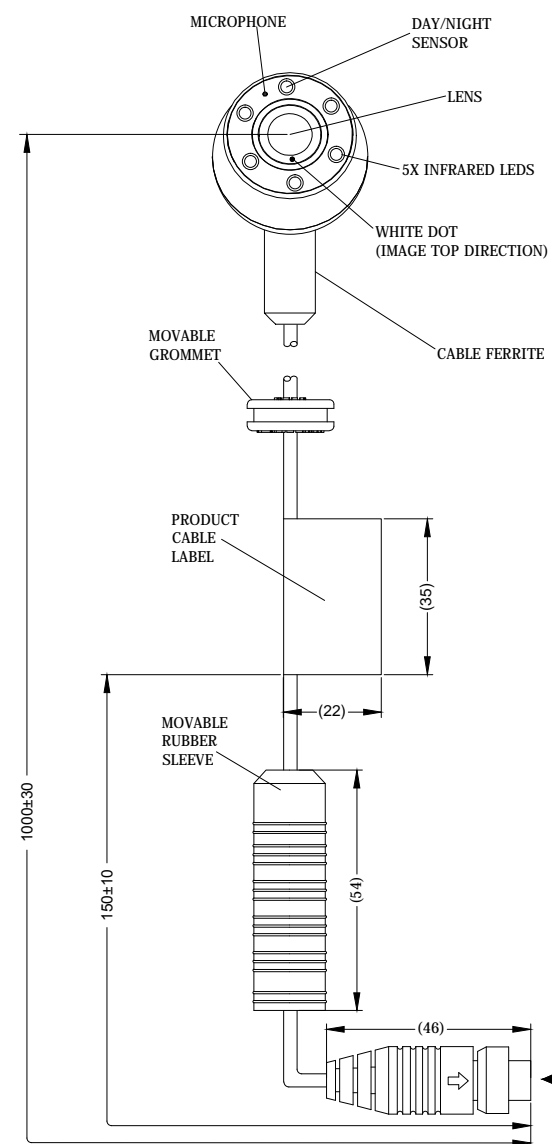
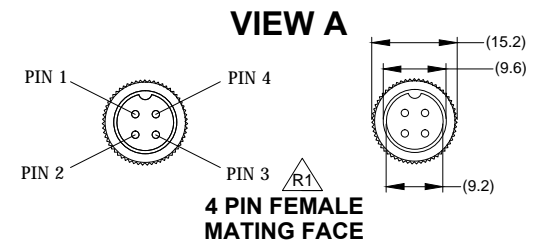
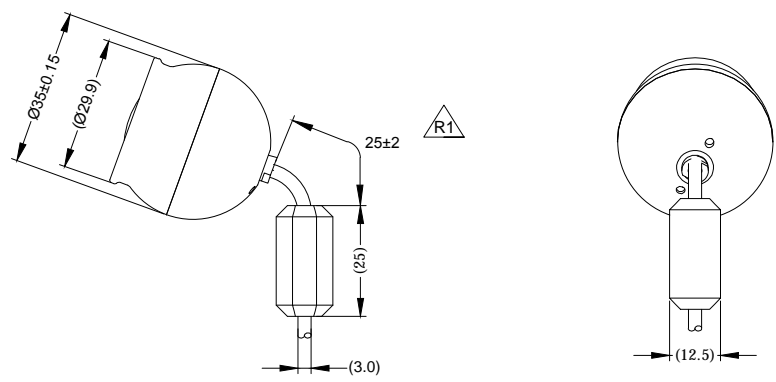


Revision Notes.			
R1 FERRITE POSITION CHANGED (ECR-CR-A320)			
APA: Yiling Zhang	Drawn: A. MINSHULL	Checked: RYAN BATES	Approved: GUSTAF PLITH Date: 10/11/14



PART NO	MODEL NO	MODEL / DESCRIPTION
4605	VBV-300C-C	MIRROR IMAGE / PAL SYSTEM - CAMERA ONLY
4614	VBV-320C-C	NORMAL IMAGE / PAL SYSTEM - CAMERA ONLY
4612	VBV-301C-C	MIRROR IMAGE / NTSC SYSTEM - CAMERA ONLY
4616	VBV-321C-C	NORMAL IMAGE / NTSC SYSTEM - CAMERA ONLY



PIN #	WIRE COLOUR	DESCRIPTION
1	RED	+12V
2	BLACK/SHIELD	GND
3	WHITE	AUDIO
4	YELLOW	VIDEO

- NOTES:**
1. FINISH IN BLACK.
 2. FOR PRODUCT CABLE LABEL REFER TO LATEST REVISION OF DRAWING BE-002870-XX-14
 3. EYE-BALL MATERIAL ALUMINIUM GRADE AL6061
 4. SURFACE TREATMENT: SANDBLASTING, BLACK
 5. CABLE FERRITE F5K RC35B 60 OHM AT 25 MHZ; 100 OHM AT 100 MHZ

PROPRIETARY NOTICE
THIS DESIGN AND TECHNICAL INFORMATION APPEARING ON THIS DRAWING IS THE PROPERTY OF BRIGADE ELECTRONICS, AND IS DISCLOSED IN CONFIDENCE. IT IS NOT TO BE COPIED, REPRODUCED, REVEALED TO OR EXPROPRIATED BY OTHERS, EITHER IN WHOLE OR IN PART WITHOUT THE EXPRESS WRITTEN CONSENT OF BRIGADE ELECTRONICS.



Assembly Pl Approval G. WU	Approved by B. JOHN	Checked by R. BATES	Drawn by A. FEDERIGHI
Angle of Projection Third Angle	Units mm	Scale N/A	Released 03/06/14
Status RELEASED	Assembly Ref VBV-3XXC-C		
Part No VARIOUS	BE-002757-01-13		